

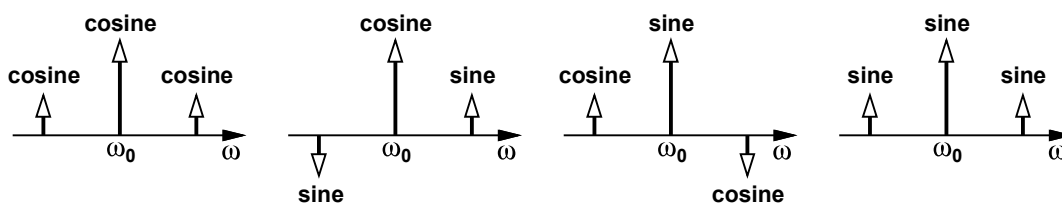
RF Microelectronics, Second Edition

Errata

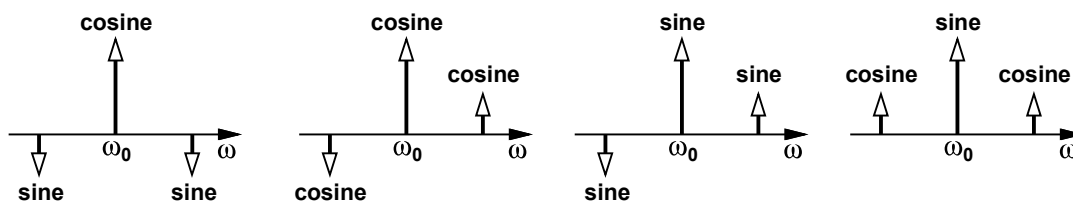
Behzad Razavi

- Prob. 2.3, second line should read: consider the cascade of identical ...
- Fig. 3.10 should be changed as shown below:

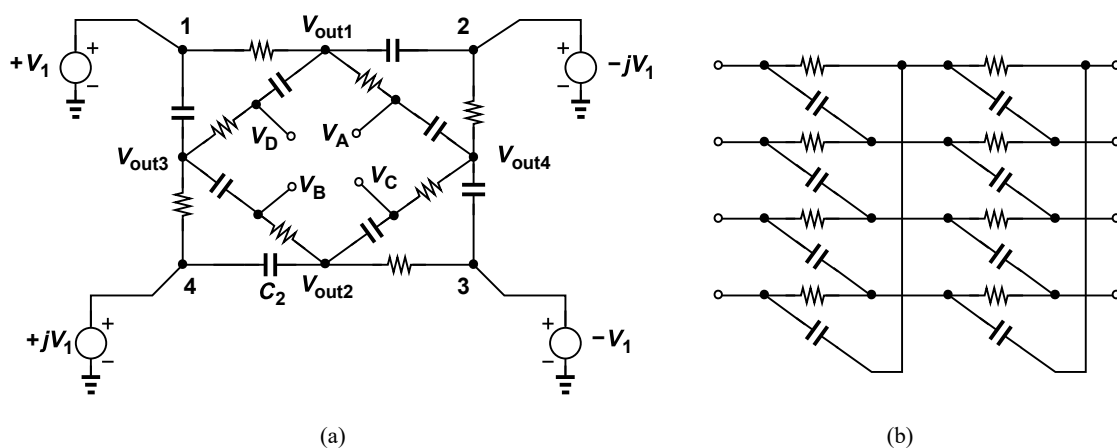
AM



NBFM



- Fig. 4.81(a) should be changed as shown below:



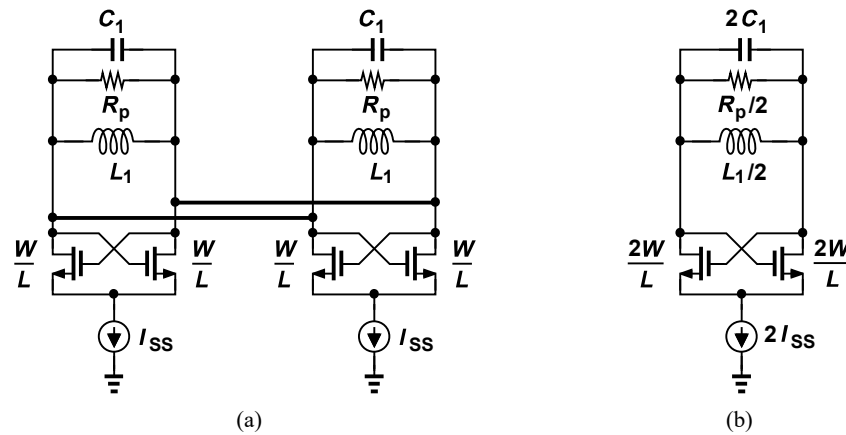
- Example 4.36, the first sentence in solution should read: We have $V_{out1} = (1/2)(1 - j)V_1$ and ...
- Example 5.5, third line in solution: Since it is desired that $R_{in} = R_S$,

- Example 6.21, last three lines of solution: Note that $V_{n2}(f)$ is typically very large because M_2 and M_3 are relatively small.
- Example 7.6, Eq. (7.33) should read:

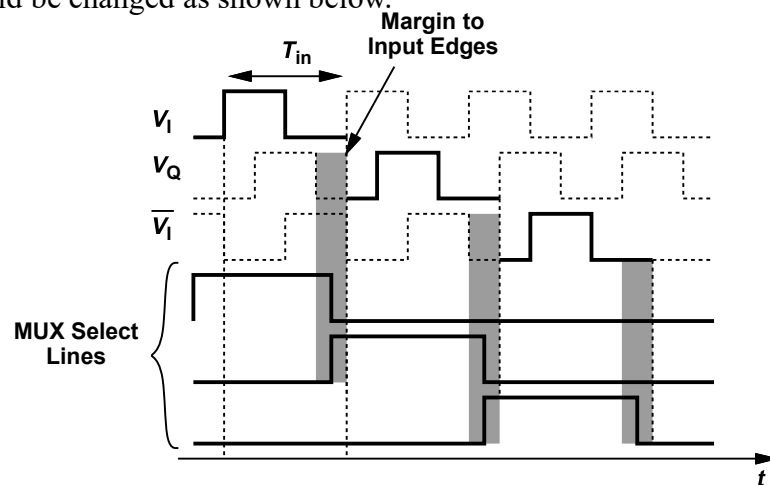
$$C_{eq} = \frac{C_1 + \dots + C_{4(N-1)}}{[4(N-1)]^2} \quad (1)$$

Eq. (7.125) in Problem 7.3 must also be corrected as above.

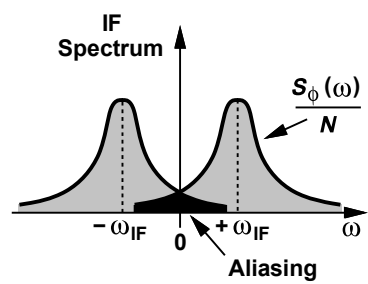
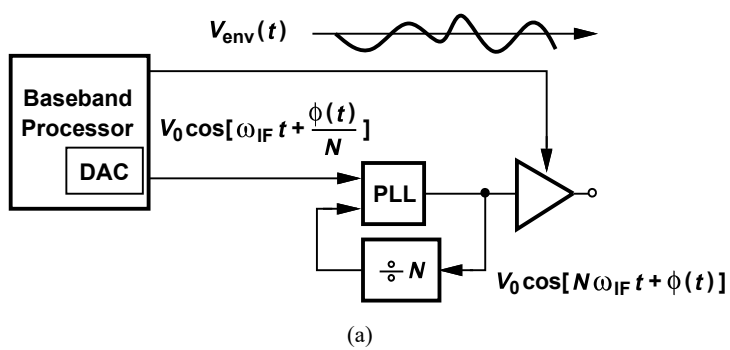
- p. 488, the sentence below Eq. (7.114) should read $Z_{1d} = R_{tot}/2$ and $Y_{1d} = C_{tot}s/2$.
- Prob. 7.10, Assume the inductance is about 9 times that of one spiral.
- Fig. 8.84 (b) should be changed as follows:



- Fig. 11.45 should be changed as shown below.



- Fig. 12.53(b) should be changed as shown below.



(a)

(b)